

GHE3D-V135 3-Way Adjustable Concealed Hinge

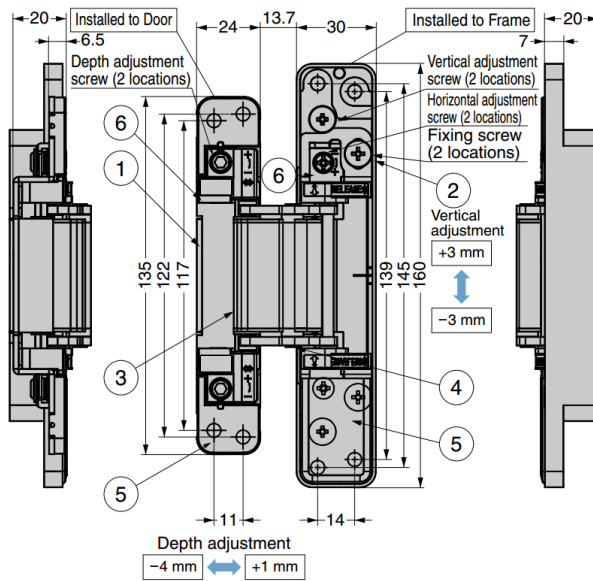
Door width (max 900) · Door height (max 2400) · Door thickness (min 30)
Door weight (max 40kg with 2 pcs) or (max 55kg with 3 pcs)

Features

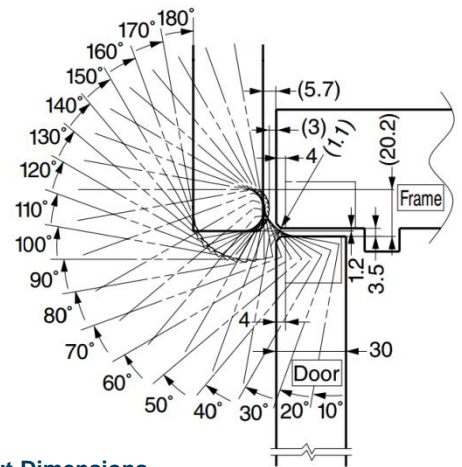
- Small bore depth for compact assembly
- 3-way adjustment function allows vertical, horizontal, and depth adjustment after hinge installation
- Easy installation: Hinge can be split into the door side and the frame side and has temporary door holding feature
- Unique seven link structure helps to prevent door from sagging
- Can be used in combination with door damper / door closers, contact your nearest [Gripwell](http://www.gripwell.com) team for assistance

Parts Included

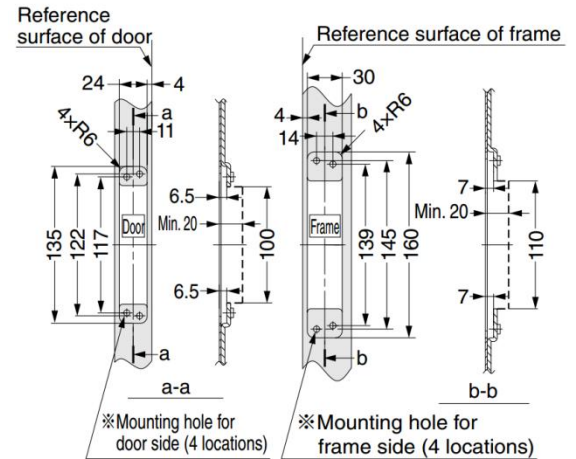
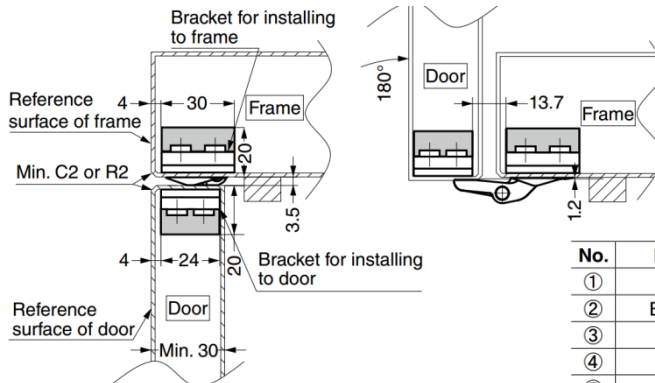
- Binding head tapping screw 5x15



Cut Out Dimensions



Installation



No.	Part Name	Material	Finish / Colour
①	Body	Steel	Nickel
②	Base Frame	POM	Light Grey
③	Arm	Aluminium Alloy	Anodised Silver
④	Shaft	Steel	Nickel
⑤	Cover	POM	Light Grey
⑥	Adjustment Block	Zinc Alloy (ZDC)	Nickel

Part No.	Door Width	Door Height	Door Thickness	Opening Angle	Door Weight
GHE3D-V135LGR	Max. 900	Max. 2400	Min. 30	180°	Max. 40 kg / 2 pcs Max. 55 kg / 3 pcs

Additional Information

Installation & Adjustment Procedure Using Temporary Holding Feature

- By using the temporary holding feature, you can easily install the door with one person:
 1. Remove screw covers and vertical adjustment screws to split the hinge into the hinge body and base frame as shown in Figure A.
 2. Secure the hinge body (the side with manufacturer logo) to the bored hole of the door and the base frame to the bored hole of the frame with mounting screws respectively.
 3. Push the hinge body horizontally into the base frame as shown in Figure B.
 4. The temporary holding feature holds the door in the frame even if you loosen your hands after pushing it in.
 5. Replace and temporarily tighten the vertical adjustment screws that were removed in Step 1.
 6. Adjust the door positions in order one by one.
 7. Loosen the vertical adjustment screws by one turn, and adjust the vertical position of the door.
 8. After adjusting the vertical position, tighten the vertical adjustment screws.
 9. Loosen the depth adjustment screws by one turn, and adjust the depth position of the door.
 10. After adjusting the depth position, tighten the depth adjustment screws.
 11. Turn the horizontal adjustment screws to adjust the horizontal position of the door. To do this, turn the left and right adjustment screws little by little, respectively. Turning them by force may cause failure or damage.
 12. Finally, replace the screw covers to complete.

Figure A: Exploded View

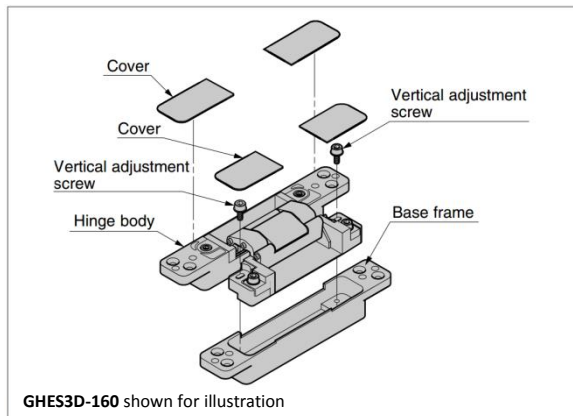


Figure B: Installation

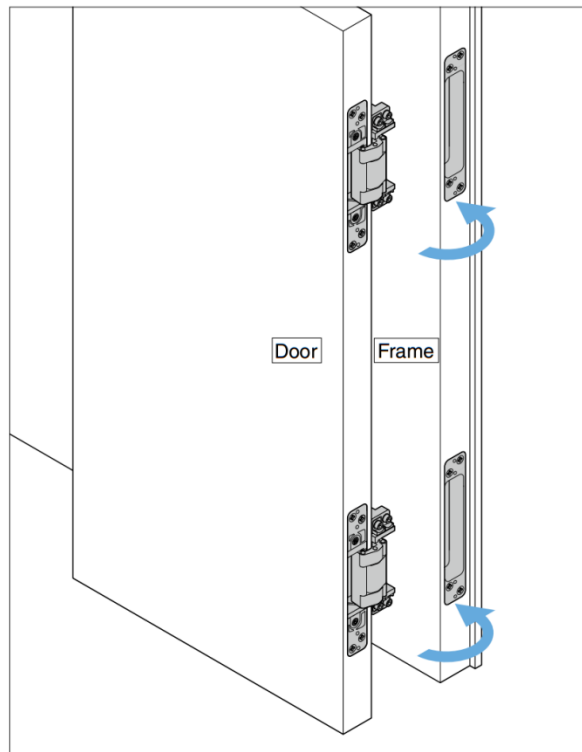
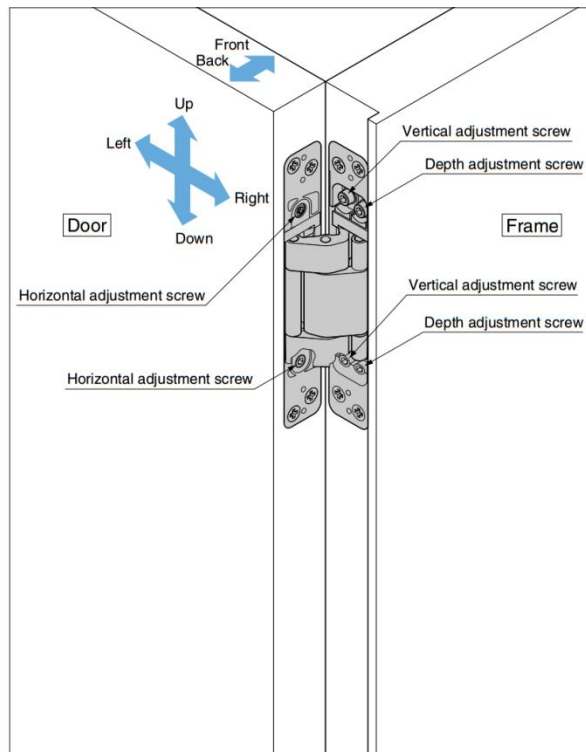


Figure C: Adjustment Screws



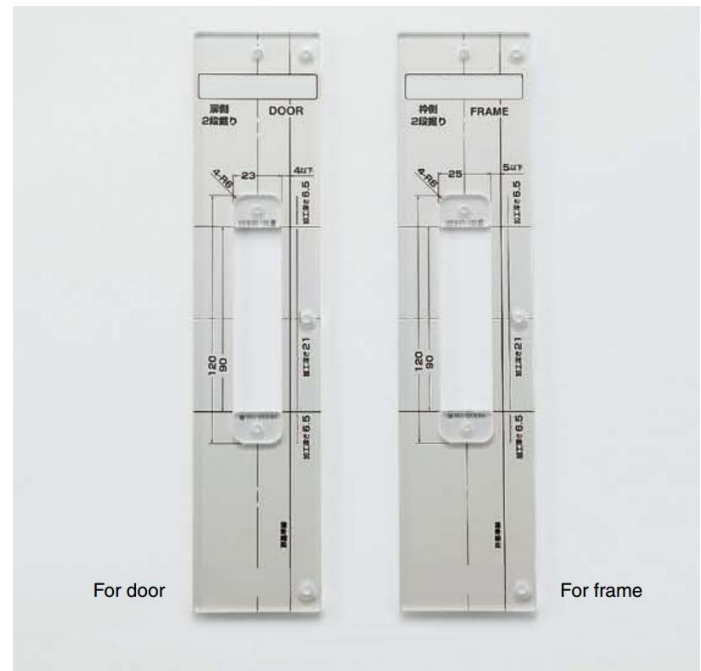
GHE3D-TMP Installation Template

Features

- Installation template for concealed hinge **GHE3D** series
- Easy to cut out door and frame with a router
- Can be reused due to acrylic resin material

Notes

- Sold in pairs (for door and frame)



Part No.	Applicable Hinge	Material	Colour
GHE3D-120-TMP	GHE3D-120	PMMA	Clear
GHE3D-160-TMP	GHE3D-160		
GHE3D-E190-TMP	GHE3D-E190		
GHE3D-V135-TMP	GHE3D-V125LGR		

GHE3D / HES Colour Customization

Custom colours available on request, contact your nearest [Gripwell](http://www.gripwell.com.sg) team for assistance!

